



ANGLE SENSOR

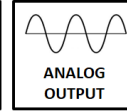
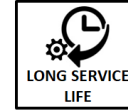
Contact Measurement, Analog Output” RCS 2200

NORDIC TRANSDUCER



GENERAL FEATURES

- Non-contact measurement
- 12 bit resolution
- User-selectable angle values between 0-360 °
- 4-20 mA, 0-5VDC, 0-10 VDC or 0.5-4.5 VDC ratiometric output options
- Resistant to harsh environmental conditions and vibration
- IP67 high protection class
- Long service life
- Compact design
- High accuracy



The RCS 2200 series sensors are used for taking angle measurement between The measuring limits can be adjusted between 0-360 ° depending on the user request. They have 0-5V, 0-10V, 4-20mA or ratiometric output options.

RCS 2200 angle sensors with high accuracy, compact design and robust construction; offers suitable solutions for angle measurement in industrial areas like crane and lifting systems, robotic systems, solar energy, wind power plants, auto parts etc. Thanks to their high IP protection class, they can work in harsh environmental conditions.

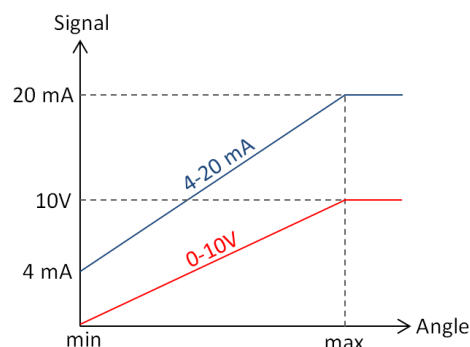
TECHNICAL SPECIFICATIONS

*Measuring Range	Can be produced in the desired range from 0 to 360 °				
Measuring Type	Magnetic, non-contact				
Linearity	±%0.3 FS				
Resolution	12 bit				
Repeatability	0.1°				
Response Frequency	250 Hz				
*Output Signal		0,5...4,5VDC Ratiometric	0...5VDC	0...10VDC	4...20 mA
	Supply Voltage	5 VDC	5 VDC or 15...32VDC	15...32 VDC	9...32 VDC
	Load	≥ 1KΩ	≥ 1KΩ	≥ 1KΩ	0...250 Ω
Current Consumption	30 mA max.				
Reverse Polarity Protection	Yes, only supply				
Electrical Connection	3 x 0,14 mm ² shielded cable				
Max Operational Speed	mechanically unlimited				
Protection Class	IP67				
Operating Temperature	-25°C ... +85°C				
Weight	~45 gr				
Material	Body: Aluminum				
	Magnet: Aluminum				

Note: The specifications specified by (*) vary depending on the model selected. The detailed code table for product selection is shown on page 3.

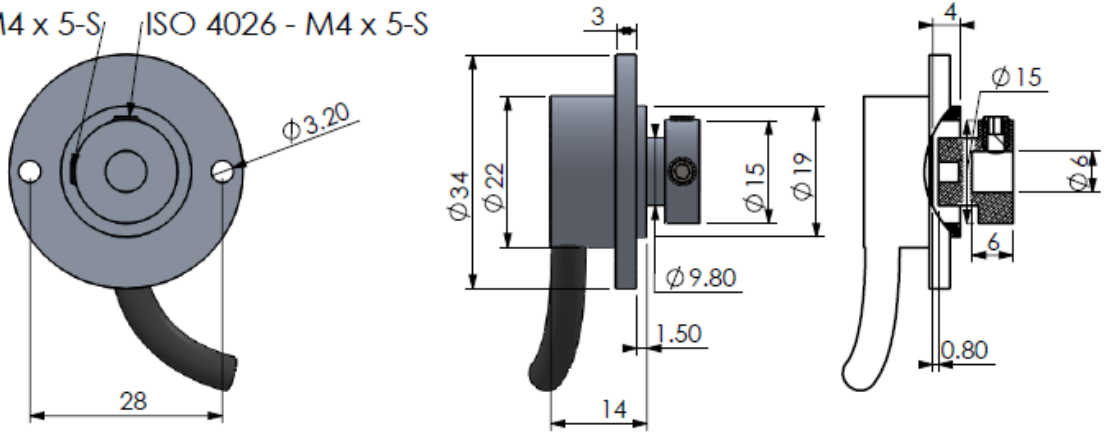
ELECTRICAL CONNECTION

SIGNAL	CABLE COLOR
+V	Red
0V	Black
Output Signal	Yellow



MECHANICAL DIMENSIONS (mm)

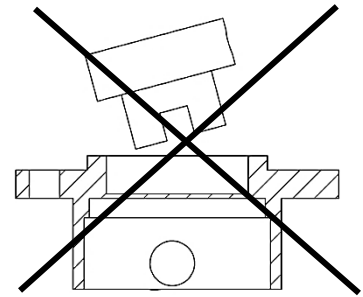
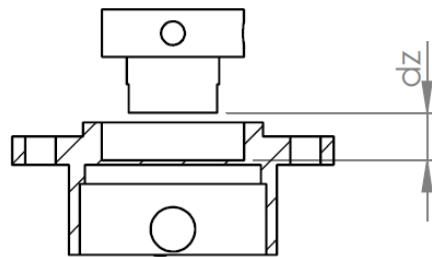
ISO 4026 - M4 x 5-S ISO 4026 - M4 x 5-S



MOUNTING INFORMATION

Working Position

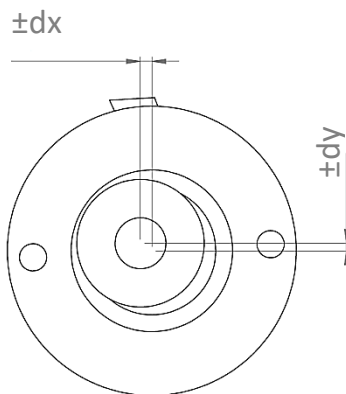
dz : 0,8 mm max.



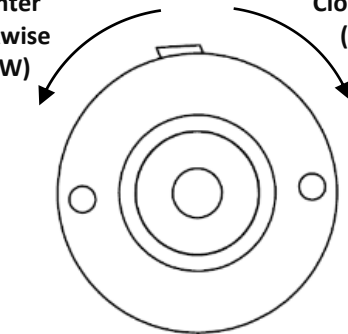
Max. misalignment value of magnet

dx : $\pm 0,25$ mm max.

dy : $\pm 0,25$ mm max.

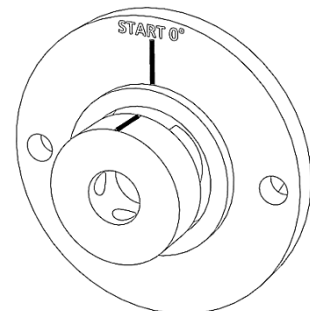


Counter Clockwise (CCW) Clockwise (CW)



0° Point

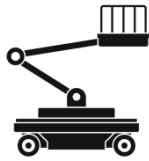
The point where the guiding lines on the body and the magnet intersect is the 0° point.



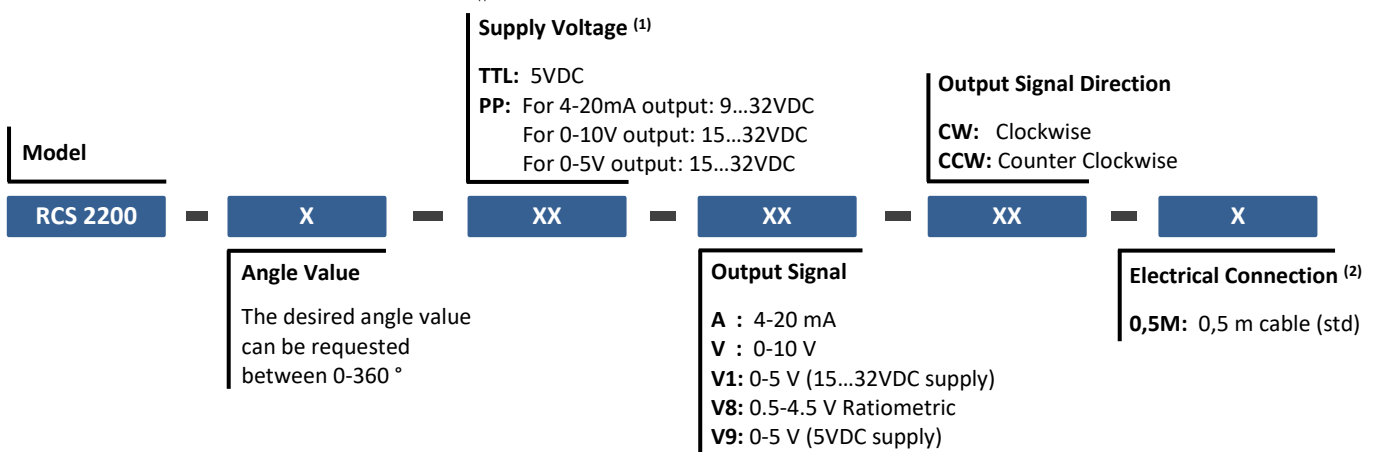
SAMPLE APPLICATION FIELDS

- Robotic systems
- Auto parts
- Solar and photovoltaic systems

- Automated guided systems
- Crane and lifting technology
- Wind power plant



PRODUCT CODE



- (1) When the output signal is selected as 4-20 mA (A), 0-10V (V) or 0-5V (V1), the supply voltage must be PP
When the output signal is selected as 0.5-4.5V Ratiometric (V8) or 0-5V (V9), the supply voltage must be TTL.
- (2) Optionally, different cable lengths can be requested.

Sample Code: RCS 2200-30-PP-V-CW-0,5M

RCS 2200 series, 0-30° measuring range, PP supply, 0-10V output, Output signal direction is clockwise, 0.5 m cable

V u) M =)

